

AUTO-HINGE Flag Type

For high-temperature,
high-humidity environments

Model **HT732**

Delivers smooth and safe door operation even in
high-temperature, high-humidity environments.

*Please check the operating temperature range and precautions on the reverse side.



Operating temperature range

Spring hinge: Up to 80°C
Damper hinge: Up to 50°C

*Do not install the hinge on the
high-temperature side.



Model Number		Applicable Door Size (mm)			Applicable Door Weight (kg)	Stop Mechanism	Stop Angle	Max. Door Opening Angle	Color
Right hand opening	Left hand opening	DW	DH	DT					
HT732R	HT732L	1000(Max)	2100(Max)	40(Min)	60(Max)	-	-	180° Left or Right One-side Opening	Shine gray
HT732R-V	HT732L-V								Black

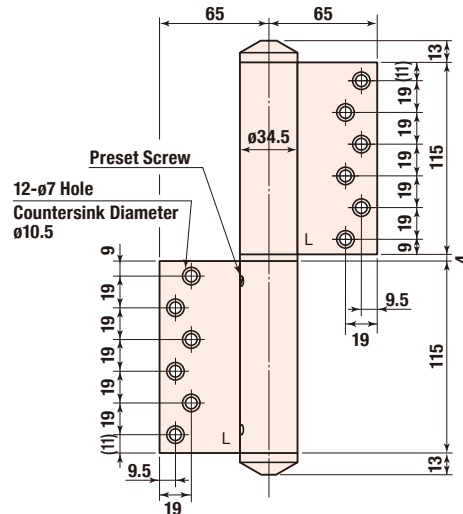
- Each model consists of a spring hinge and a damper hinge.
- Use the standard Model 730 for empty hinges.

External Dimensions

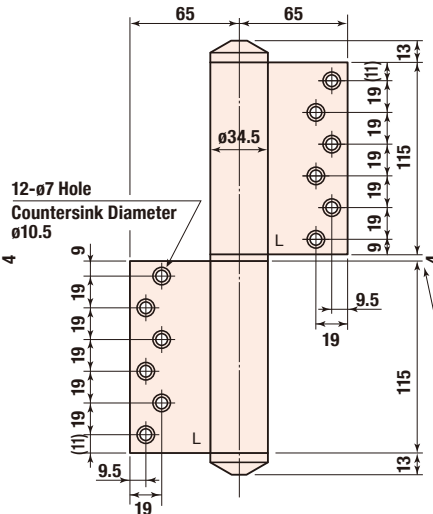
(The diagrams show the external dimensions for the left-hand opening type. The right-hand opening type is symmetrical to these diagrams.)



• Spring Hinge



• Damper Hinge



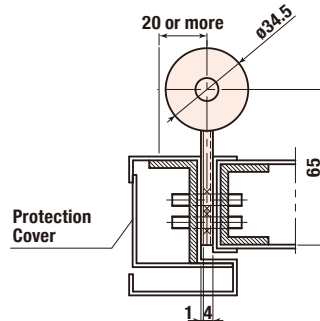
(Unit: mm)

Note:
Due to the temperature compensation function, the leaves are shipped with a clearance of about 10 mm between them. During installation, adjust the clearance to 4 mm.

Remarks

- 1 Surface treatment: Baked acrylic resin coating.
- 2 For reinforcement, be sure to use steel plates at least 3.2 mm thick and 300 mm long at the leaf mounting areas on both the door and the frame. Also, secure the steel plate directly to the door/frame.
- 3 Countersunk head screws for sash M5 x 16L (P=0.8) are included for installation.
- 4 Leave a gap of at least 5 mm between the outer edge of the door and frame.
- 5 Always install a door stopper to prevent the door from opening more than 180°. Install the door stopper so that it touches the door front end.

Installation Diagram

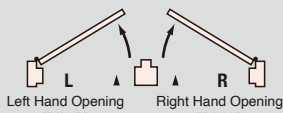


Accessories Included

Part Name	Quantity	
	HT732	730
Countersunk Head Screw M5 x 16	24	12
Set Pin	1	-



Door Opening Direction (top view)



⚠️ Precautions:

- In high-temperature environments, the door must be designed to open by pushing from the inside.
- The use of latch mechanisms may lead to accidents.
- Do not place any obstructions in the door opening path.

NITTO KOHKI CO., LTD.

Head Office

2-9-4, Nakaikogami, Ota-ku, Tokyo 146-8555, Japan
 Tel : +81-3-3755-1111 Fax : +81-3-3753-8791
 E-mail : overseas@nitto-kohki.co.jp



Web www.nitto-kohki.co.jp/e/

DISTRIBUTED BY